

Technical data sheet



Product features

Display case heated 1x shelf 50x35

Model	SAP Code	00004951
--------------	-----------------	----------



- Device properties: Warmed
- Minimum device temperature [°C]: 30
- Maximum device temperature [°C]: 60
- Opening of device: Two-sided

SAP Code	00004951	Power electric [kW]	0.400
Net Width [mm]	504	Loading	230 V / 1N - 50 Hz
Net Depth [mm]	360	Minimum device temperature [°C]	30
Net Height [mm]	412	Maximum device temperature [°C]	60
Net Weight [kg]	9.00		

Technical data sheet



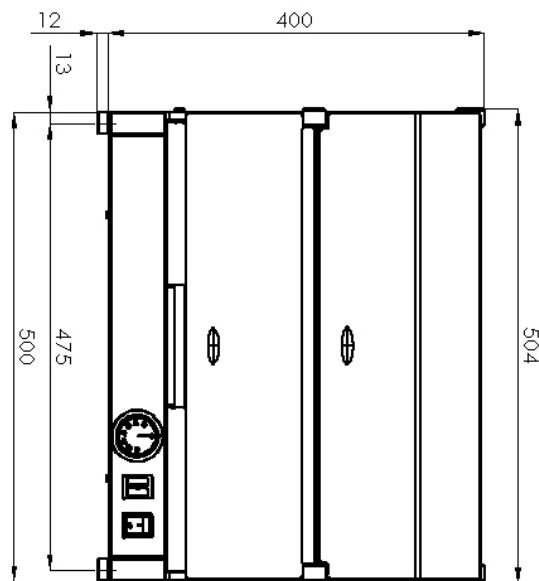
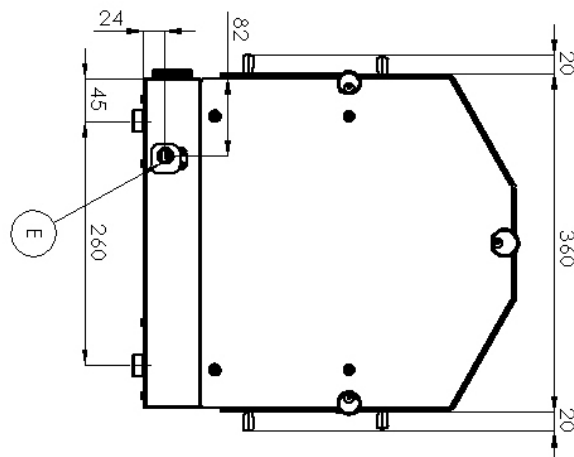
Technical drawing

Display case heated 1x shelf 50x35

Model

SAP Code

00004951



Technical data sheet



Technical parameters

Display case heated 1x shelf 50x35

Model

SAP Code

00004951

1. SAP Code:

00004951

9. Gross Weight [kg]:

13.00

2. Net Width [mm]:

504

10. Device type:

Electric unit

3. Net Depth [mm]:

360

11. Device properties:

Warmed

4. Net Height [mm]:

412

12. Power electric [kW]:

0.400

5. Net Weight [kg]:

9.00

13. Loading:

230 V / 1N - 50 Hz

6. Gross Width [mm]:

430

14. Minimum device temperature [°C]:

30

7. Gross depth [mm]:

550

15. Maximum device temperature [°C]:

60

8. Gross Height [mm]:

300

16. Opening of device:

Two-sided